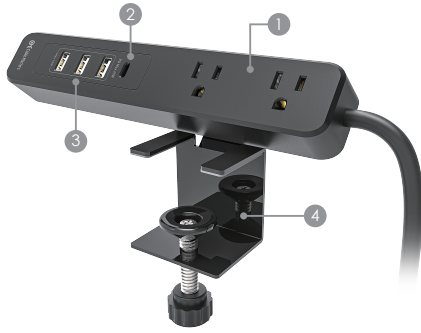


## Desk Mount 2-Outlet Power Strip with 65W GaN USB-C® Fast Charger

### Product Description

The power strip is powered by the GaN technology, and it delivers charging in a small & compact design.

Multiple USB devices charge at full speed simultaneously. Also, the USB-C port supports PD3.0 fast charging.



- 1 2 AC Outlets
- 2 PD 65W
- 3 3 USB-A
- 4 Table Clamp

### Product Features

- GaN Technology - Powered by the GaN technology, it delivers charging in a compact form factor design.
- Fast Charger & Regulatory Compliant - Provides 65W max USB-C output, and multiple devices charging at full speed simultaneously. ETL product safety certification and compliant with DOE VI.
- Thumb Screw Table Clamp - Capable of securing firmly to desks with a thickness between 0.4" and 1.56", without additional tools.
- Safe Charging - OVP/OCP/OTP
- Smart Fast Charging - Adjusts PD Output dynamically depending on the USB-C devices connected.

### Specification

- AC Outlet: 2
- Electrical Rating: 13A, 120V, 60Hz, 1560W
- 1 USB-C & 3 USB-A (Up to 65W in Total)
- USB-C Support PD3.0
- USB-C in Use Only: 5V/3A, 9V/3A, 12V/3A, 15V/3A, 20V/3.25A, Up to 65W PD 5VDC/3A, 9VDC/3A, 12VDC/3A, 15VDC/3A, 20VDC/2.25A 45W MAX
- USB-A Support SCP/FCP/SFCP/AFC/PE/APPLE
- USB-A in Use Only: 5V/3A, Up to 15W
- USB-C and USB-A Both in Use: USB-C up to 45W and USB-A up to 15W
- 6ft Extension Cord

### Package Contents

- Power Extension with PD 65W Fast Charger x 1
- User Manual x 1
- Table Clamp x 1
- Screw Pack x 1

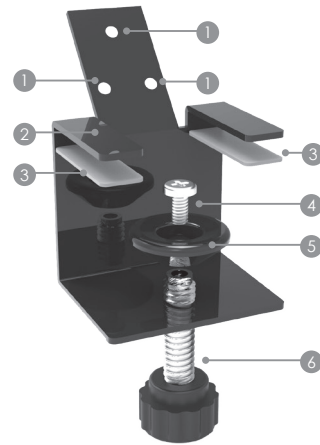
### Warnings

- Check that the wall outlet you are using is within the AC 120V range
- Do not place the charger on heated seats or against any other heat sources
- Do not attempt to replace any part of the charger on your own
- Do not expose the charger to liquids or excessive heat
- Do not use any corrosive cleaning substances on the charger
- Keep out of reach from children

This equipment has been tested and found to comply with the limits for a Class B digital device, pursuant to Part 15 of the FCC Rules. These limits are designed to provide reasonable protection against harmful interference in a residential installation. This equipment generates, uses and can radiate radio frequency energy and, if not installed and used in accordance with the instructions, may cause harmful interference to radio communications. However, there is no guarantee that interference will not occur in a particular installation. If this equipment does cause harmful interference to radio or television reception, which can be determined by turning the equipment off and on, the user is encouraged to try to correct the interference by one or more of the following measures:

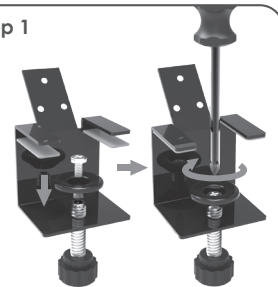
- Reorient or relocate the receiving antenna
- Increase the separation between the equipment and receiver
- Connect the equipment into an outlet on a circuit different from that to which the receiver is connected
- Consult the dealer or an experienced radio/TV technician for help

### Installation Guides



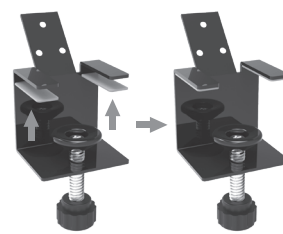
- 1 3 x (F4\*8 Screw) Hole
- 2 1 x Metal Table Clamp
- 3 2 x Anti-Slip Pad
- 4 1 x Phillips Screw
- 5 1 x Fasten Piece
- 6 1 x Stud

#### Step 1



Use Phillips Screw to Attach the Clamp Plate

#### Step 2



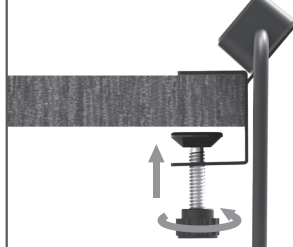
Paste the Anti-Slip Pads on the Table Clamp

#### Step 3



Firmly Mount and Screw up to the Product

#### Step 4



Mount and Screw on the Desk

#### Step 5



Finish Installation

### Copyright and Trademarks

Specifications are subject to change without notice. Cable Matters is a registered trademark or trademark of Cable Matters Inc. All rights reserved. All other trademarks are the property of their respective owners.

### Limitation of Liability

In no event shall Cable Matters Inc. (including their officers, directors, employees or agents) be liable for any damages (whether direct or indirect, special, punitive, incidental, consequential, or otherwise), loss of profits, loss of business, or any pecuniary loss, arising out of, or related to the use of this product exceeding the actual price paid for the product (as allowed by state law).

### Warranty Information

This product is backed by a limited one-year warranty. The warranty covers parts and labor costs only. Cable Matters does not warrant its products from defects or damages arising from misuse, abuse, or normal wear.

### Customer Support and Contact Information

Cable Matters offers lifetime technical support as an integral part of our commitment to provide industry leading solutions.

Email us with any questions at [support@cablematters.com](mailto:support@cablematters.com).